

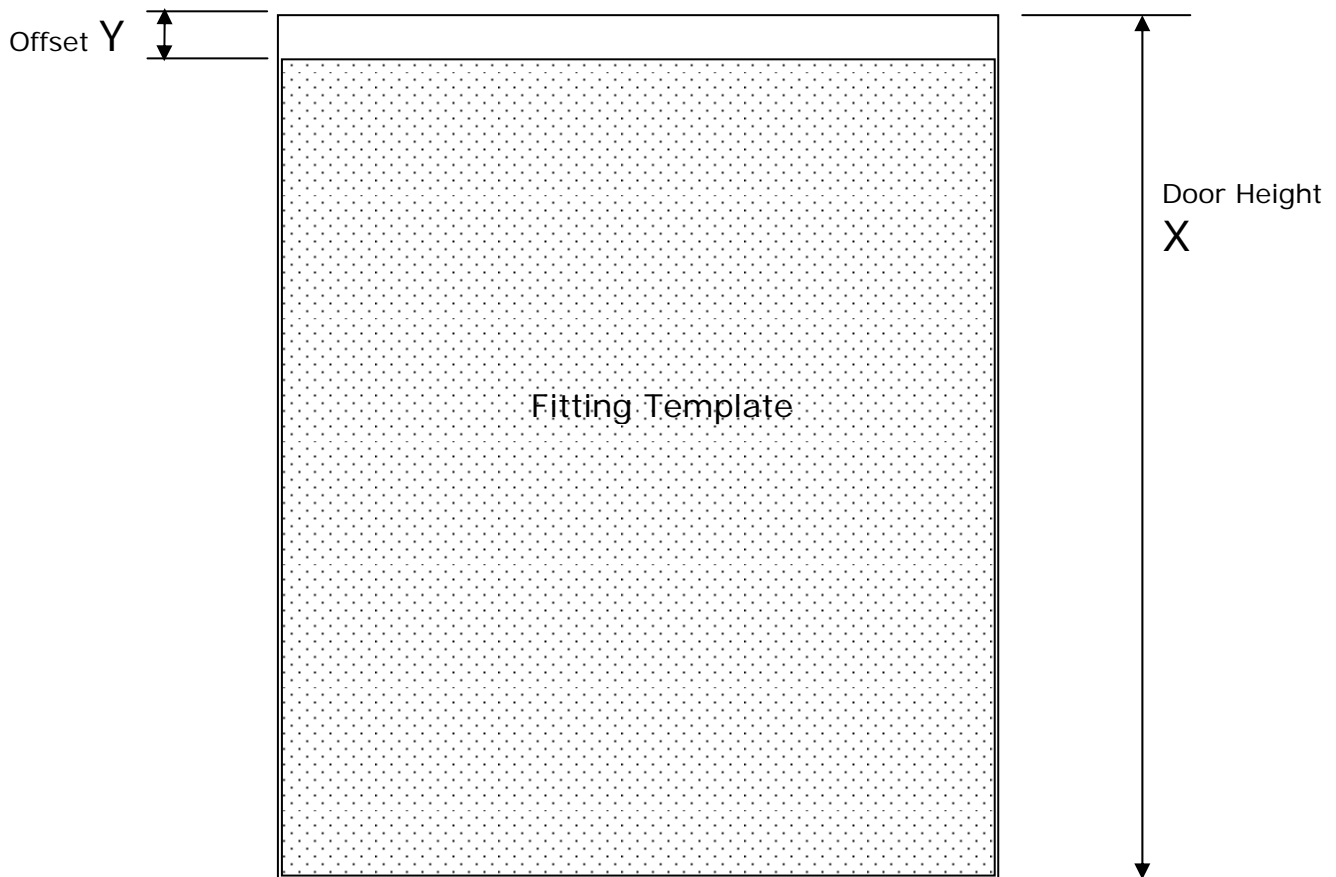
CDA Dishwasher – Oversized Fascia Door Mounting Information

Scope of Document:

Where non-standard integrated appliance doors are supplied, additional fitting instructions are required to ensure compatibility with this product.

Instructions:

The machine is supplied with a fitting template and these instructions should be followed as normal. However, the fitting template needs to be located lower down the fascia door; this is shown below: -



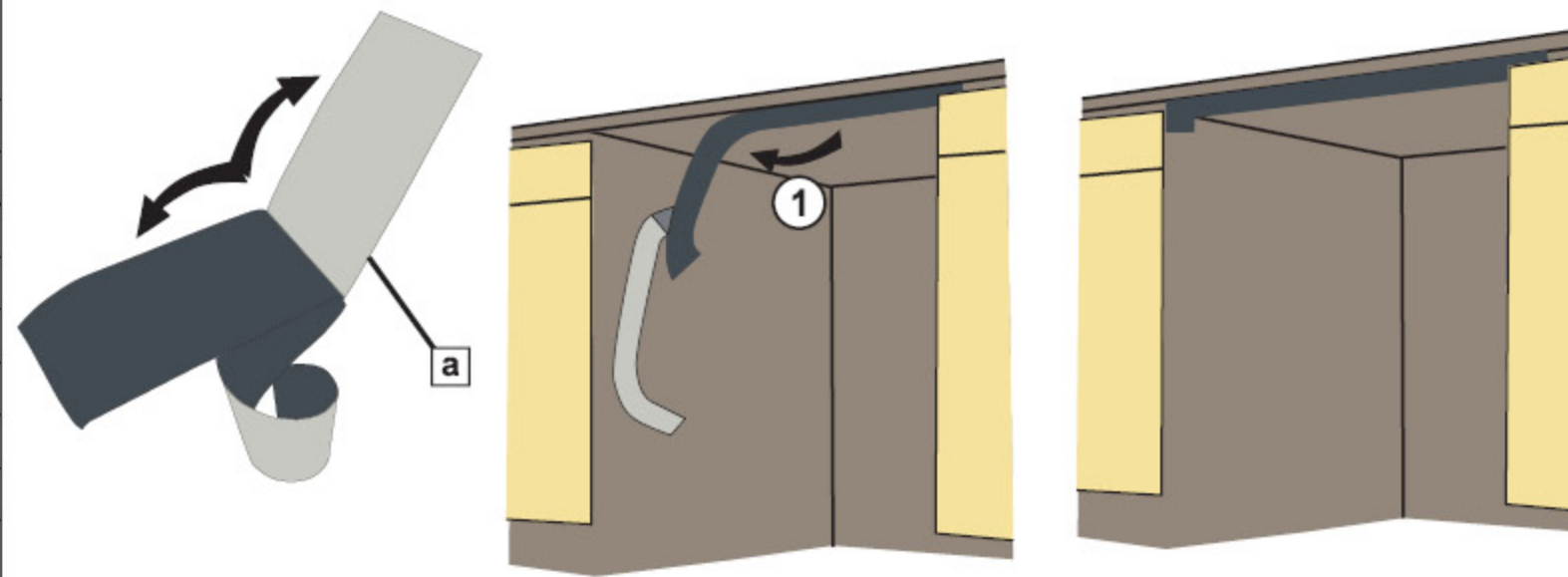
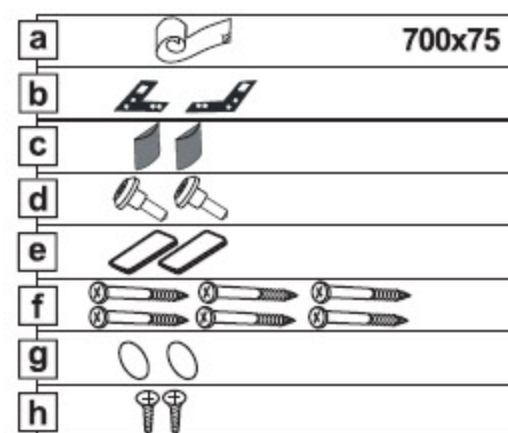
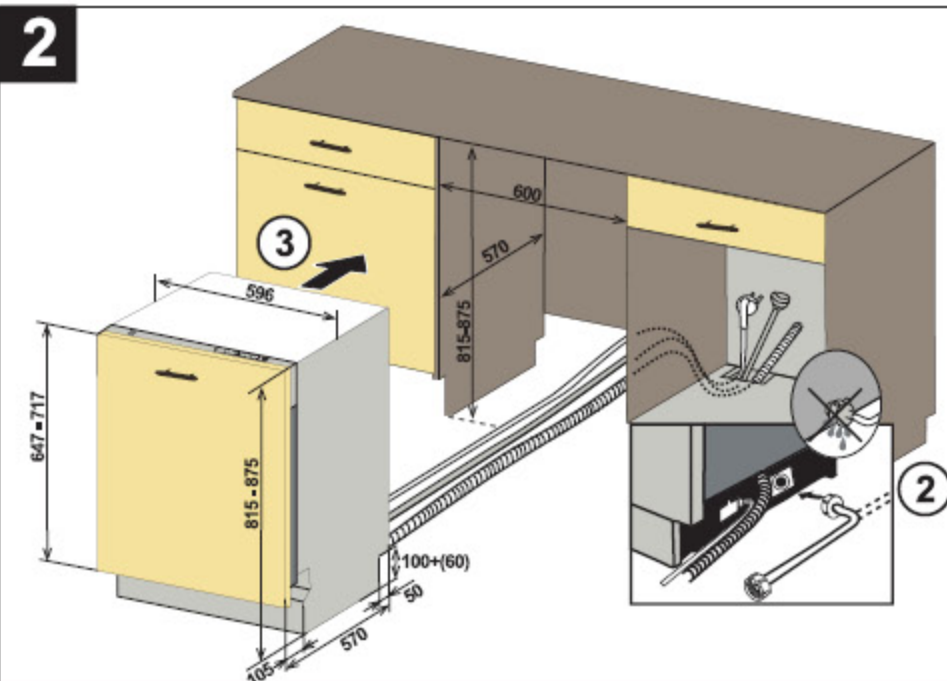
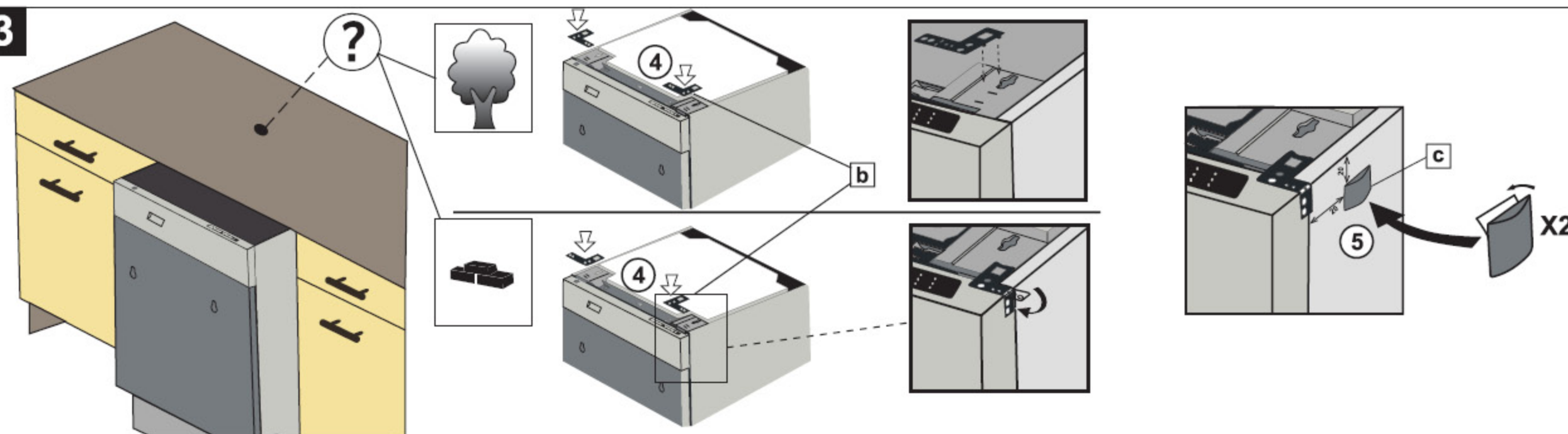
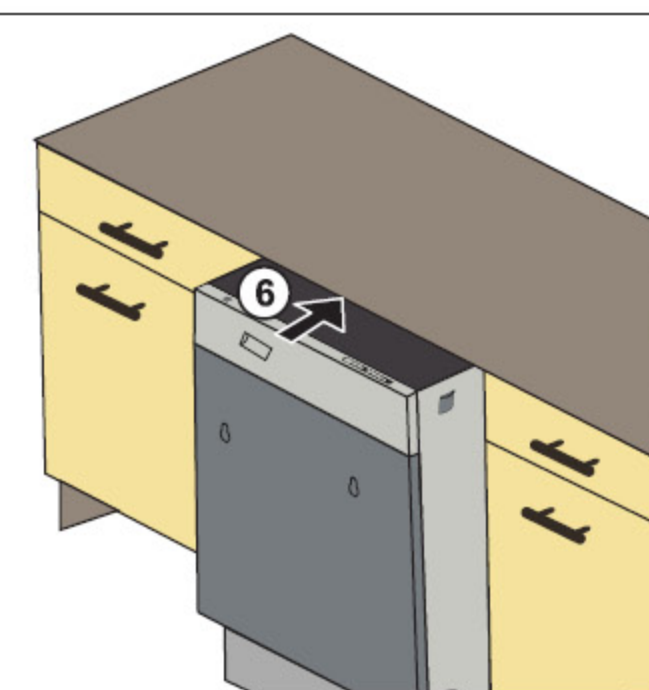
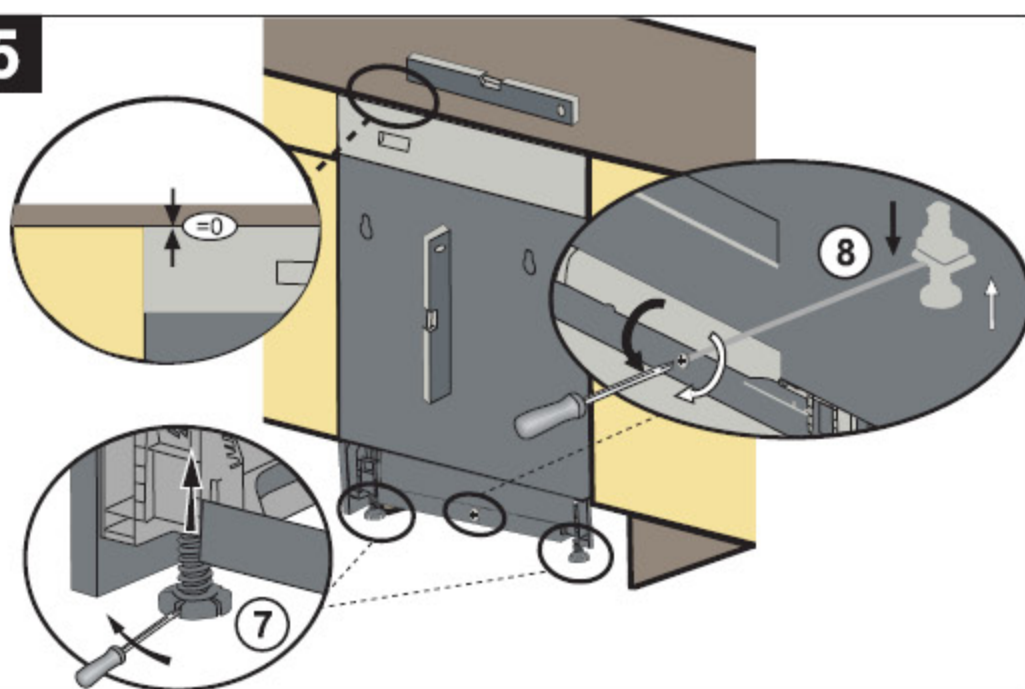
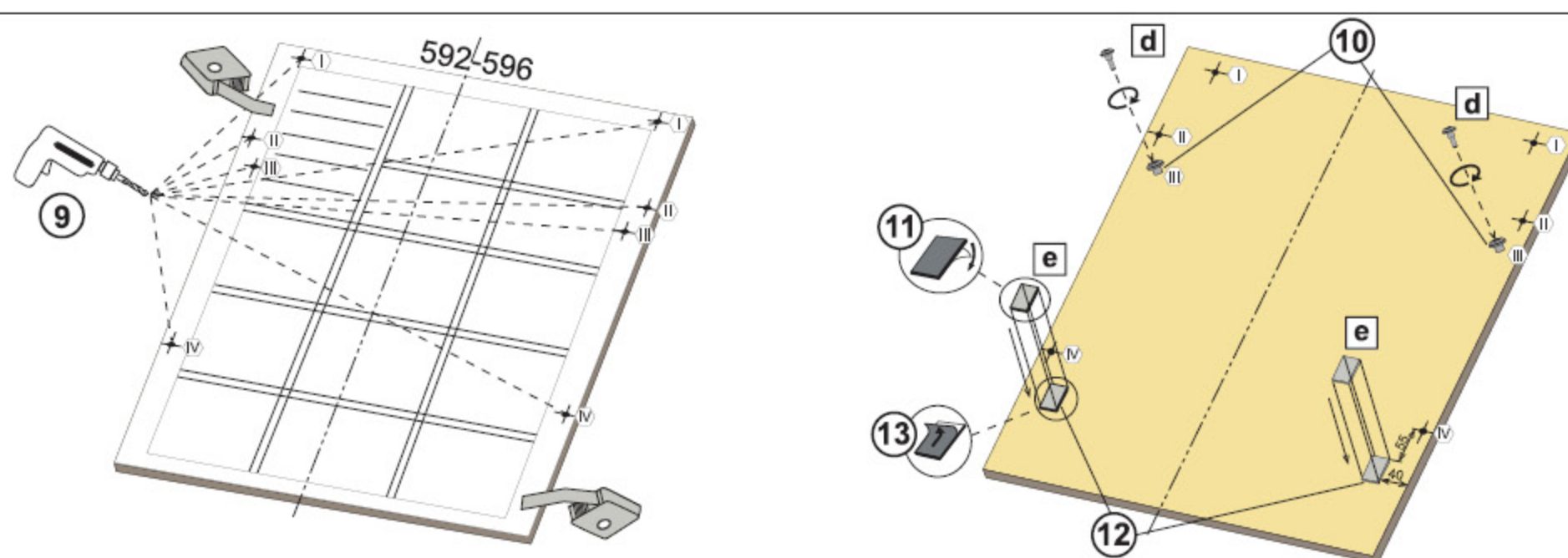
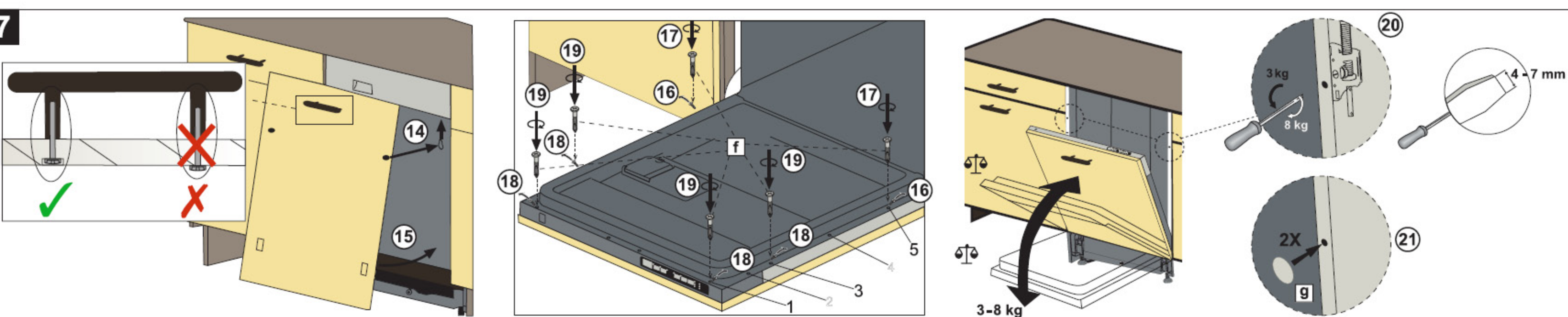
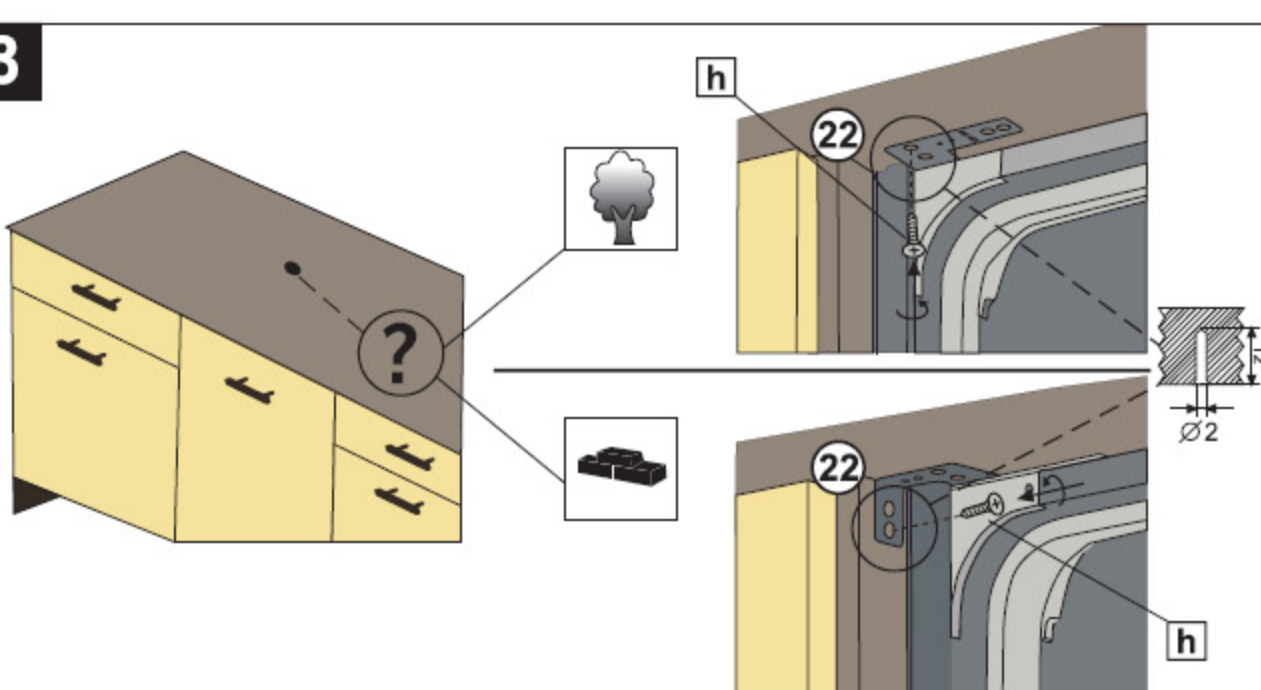
The amount of offset, Y, depends on the height of the fascia door and can be calculated as: -

WC140: X-723mm
 WC350, WC360: X-725mm

For example, if you have a 731mm tall fascia door and are fitting a door to a WC140, then $Y = 731 - 723 = 8\text{mm}$



MT 11/06/09

1**2****3****4****5****6****7****8****9**